



The LA<sub>v2</sub> is the newest version of ISIMET's one or two switch LA Utility Controller.

# Limited Application Utility Controller

# LA<sub>v2</sub>

### IDEAL APPLICATIONS:

- For control of only one or two utilities.
- As a supplemental utility controller for the UtC (ISIMET's Utility Controller), such as a Teacher's Desk.
- For a Laboratory Preparation Area.

### FEATURES:

- **New Reduced Size:** 9.75" X 5.25" x 3"
- **Red Notification LEDs:** Notifies user why Utility shut down.
- **Option of Fan control integrated into Controller.**
- **Identified Push Connectors:** Reduces wiring mistakes.
- **16-Gauge Brushed Stainless-Steel Cover**
- **Fuses instead of breakers (HV Only):** Prevent damaging board during installation and/or on a circuit output short circuit.
- **Short Circuit Protection:** Protects the controller from short circuits and auto-resets when a short has been cleared.
- **Includes the following Inputs:**
  - Gas Detector
  - Carbon Monoxide detector
  - EMS/BMS
  - Building Alarm
  - Fan Interlock
  - Gas Pressure Transmitter



Dual Switches



Single Switch

### CONTROLLER OPTIONS:

<b>Output Voltage</b>	120VAC or 24VDC
<b>Activation Method</b>	Key or Push Button
<b>Mounting Method</b>	Flush or Surface
<b>Outputs Options</b>	24VDC and Dry-Contact

LA<sub>v2</sub> - - - - -

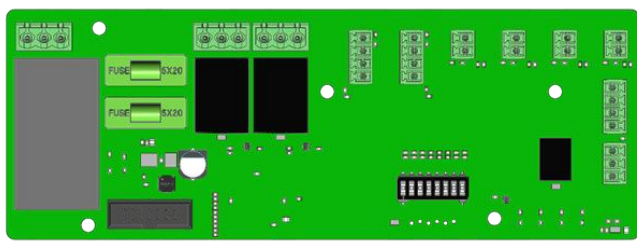
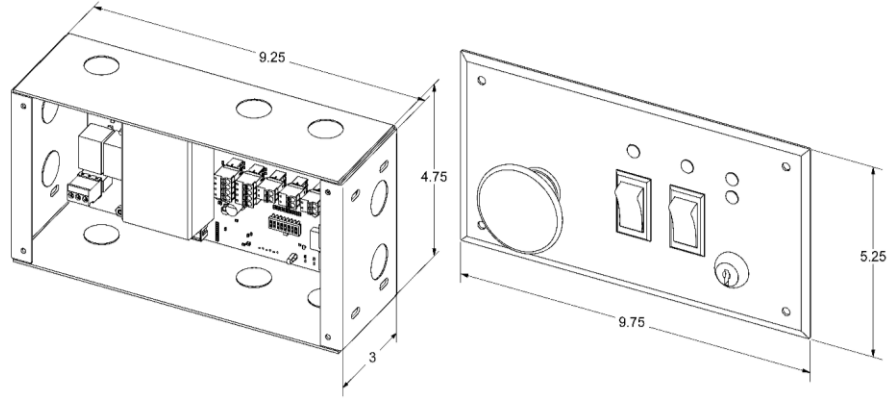
<b>(HV or LV)</b> HV: 120VAC Output LV: 24VDC Output	<b>(K or P)</b> K: Key Switch P: Push Button	<b>(F or S)</b> F: Flush Mount S: Surface Mount	<b>(1<sup>st</sup> Switch Label)</b> E: Electric G: Gas W: Water F: Fan T: Teacher's Desk U: Utilities	<b>(2<sup>nd</sup> Switch Label)</b> X: No 2 <sup>nd</sup> Switch E: Electric G: Gas W: Water F: Fan T: Teacher's Desk U: Utilities	<b>Additional Options<sup>1</sup></b> PT: Pressure Transmitter FGS: Fuel Gas Sensor C: Clear Cover
--	--	---	--	--	---

<sup>1</sup> Adding PT or FGS will add additional red LED indicators on the front panel of the Controller as follows:

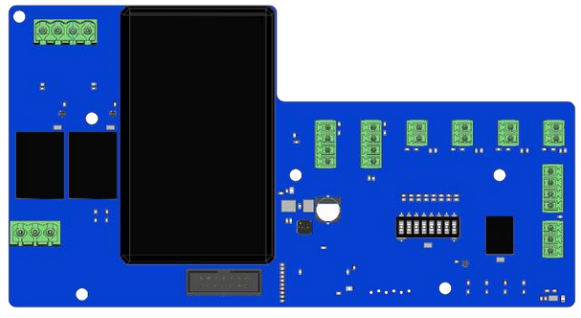
- PT: Gas Pressure Test Failed
- FGS: Gas Leak Detected



Dimensions:  
 Box: 4.75 in. x 9.25 in. x 3 in.  
 Cover: 5.25 in. x 9.75 in. 16 gauge



LA<sub>v2</sub>-HV PCB



LA<sub>v2</sub>-HV PCB

	High-Voltage (LA <sub>v2</sub> -HV)	Low-Voltage (LA <sub>v2</sub> -LV)
All Metal Enclosure	•	•
Brushed Stainless Steel Cover	•	•
Flush or Surface Mount	•	•
Optional Gas Solenoid (½"-3" Sizes Available)	•	•
120VAC (60Hz) Input	•	
120VAC Circuit Output	•	
100-240VAC (50/60Hz) Input		•
24VDC Circuit Output		•

LA <sub>v2</sub> -HV (120VAC Version)	LA <sub>v2</sub> -LV (24VDC Version)
120VAC (60Hz) Line Voltage Input	100-240VAC (50/60Hz) Line Voltage Input
120VAC Circuit Output (Max 15A)	24VDC Circuit Output (Max 2.5A)
24VDC Output (Max 5W)	24VDC Output (Max 10W)
120V – 2A Fuse (Quantity: 2)	Short-Circuit Protection (No Fuses)