
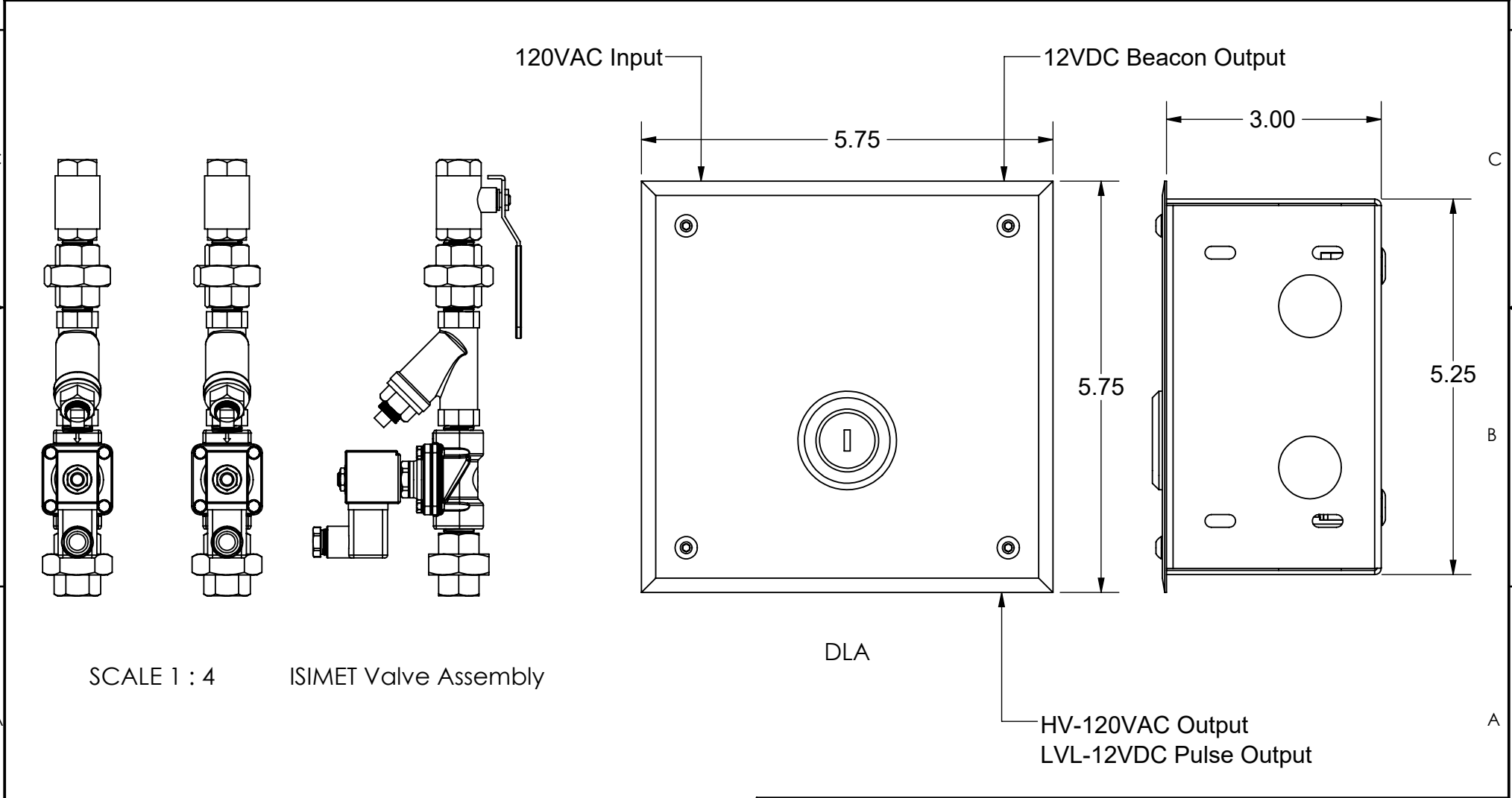


NAME DLA Drawing
FOR ISIMET
MATERIAL Misc.
<i>WCM INDUSTRIES, INC.</i> <i>COLORADO SPRINGS, COLORADO</i>

TOLERANCE UNLESS SPECIFIED
DECIMALS: TWO PLACE ± 0.010 THREE PLACE ± 0.005
FRACTIONS: $\pm 1/32$
ANGLES: $\pm 0.5^\circ$
SURFACE TEXTURE 32 

SCALE 1:2	ISIMET MAPA	PART NO. DLA		
CAD NUMBER: DLA Engineering Drawing				
REVISION	BY	CH	EC	DATE
A Created Drawing	GY			07/22/19
B				
C				
D				



CONFIDENTIAL
THE INFORMATION CONTAINED IN THIS DRAWING IS THE SOLE PROPERTY OF ISIMET,LLC, A DIVISION OF WCM INDUSTRIES, INC. ANY REPRODUCTION IN PART OR WHOLE WITHOUT THE WRITTEN PERMISSION OF ISIMET, LLC IS PROHIBITED.