

## ***ISIMET***

### **IE1-R-S-TD**

#### **Integration Relay and Time Control Device**

#### **Installation Instructions**

### ***ISIMET***

**103 C.J. Wise Parkway  
Naples, TX 75568  
(903) 897-0737  
(903) 897-0740 fax**

Copyright © 2012 ***ISIMET***, LLC.  
All rights reserved.



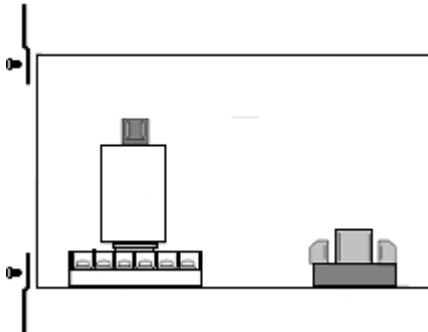
The *ISIMET* Integration Relay and Time Control Device provides the capability of turning an external device on for a set period of time when a signal is received from an *ISIMET* Controller. The unit should be located in an area not accessible to normal classroom activity.

#### **Features:**

A user selectable time “ON” timer. See instructions below to change timing cycle.

A solid state relay with switch. This switch has three modes:

1. AUTO – relay will turn OFF at end of timing cycle.
2. OPEN – relay will remain in the OFF state, allowing maintenance on the controlled external device without the danger of someone accidentally turning it on.
3. CLOSED – relay will remain ON regardless of timer state.



#### **Surface Mounted Units**

Units intended to be surface mounted are provided with two (2) flanges. The back of the enclosure can be drilled to accept the mounting flange hardware at each rear corner.

#### **Important!**

**All local electrical codes must be followed when connecting the conduit to the service panel and making wiring connections.**

**Do not install wiring or cable for integrated systems, remote panic assemblies or other interface wiring within conduit for either 24-vac control or 120-vac line voltage. Each wiring system should be housed in independent conduit and not bundled with wiring for other systems.**

#### **Mounting the Wall Box:**

Using the provided mounting brackets and screws, secure the unit to a structural member. The unit should be mounted in a location convenient for maintenance so that adjustments to the delay setting are convenient. After mounting and installation of interconnect cabling, we recommend that the cover be placed over the box opening to prevent debris from potentially damaging the unit.

**Enclosure Dimensions: 5.25” X 7.25” X 4”**

### Installing the Electrical Connections:

Grommet holes for connecting the electrical circuits are located at the top and bottom right of the Wall Box.  
Connect the 24-vac Input from the controller via the top grommet hole on the upper right top of the enclosure.  
Connect the external device being controlled to the relay via the bottom grommet hole on the lower right of the enclosure

### Wiring the Unit

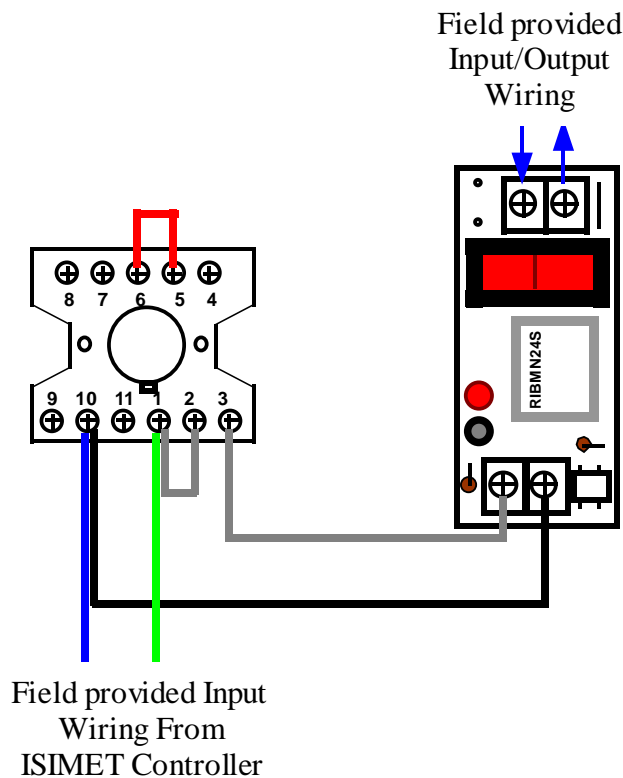
#### Important!

**Verify that the electrical supply is disconnected prior to connecting wiring to the Unit.**

To wire the Controller:

1. Remove the junction box cover.
2. Connect the 24-vac Input from the controller via the top grommet hole on the upper right top of the enclosure.
3. Minimum recommended wire size is 18 AWG.
4. Connect the external device being controlled to the relay.
5. Use appropriate sized wiring for the device being controlled
6. Replace the junction box cover before activating or testing the unit.

**CAUTION: DO NOT** route wiring from this device to the Utility Controller within conduit containing 120-vac line or 24-vac output control wiring.



**Figure 2**

### Wiring the Input 24-vac Control

#### Signal to the Unit: Refer to Figure 2

Providing field wiring (two 2 conductor -18 AWG max cables.) Make connections as shown in figure to post terminals 1 & 10.

### Timer Features:

The timer is factory set to the time specified when the unit was purchased. If no time was specified, the timer is set for five (5) minutes. To change the time "ON", set the RANGE to "S" for seconds, "min" for minutes, or "H" for hours. The SCALE can be set for any time from .02 to 60. Final timing adjustment is set with the knob on the top of the timer.

### Test the Unit:

We recommend that you test the unit to verify that it performs as stated here. Also, periodic re-testing to determine component failure or loss of integration with the Controllers or output is recommended.

If the unit fails to operate, contact *ISIMET* or a factory representative.

**Warranty:**

*ISIMET* will repair or replace any defective parts or workmanship of this product for a period of one year from date of installation. Damage caused by incorrect installation or improper usage is not warranted. Failure to follow recommended installation, operation, and/or maintenance procedures listed in this manual may void product warranty. Recovery rights shall be limited to the total sum of the amounts paid for the product by the purchaser.

**Limits of Liability:**

*ISIMET's* liability shall be limited to costs of repair or replacement parts. This unit is not intended for usage other than those expressly described in this manual. *ISIMET* shall not be liable for damage or injury caused by the improper use of the product.

*ISIMET* shall not warrant against or assume liability for failure of operation or lack of notification to secondary integrated monitoring systems. The system should be thoroughly tested and adjustments made at time of initial operation. Periodic testing should be conducted by the user to assure that all components function and operate according to specifications.

Care should be taken in the installation of this product. *ISIMET* shall not be liable for damage or injury caused from the improper installation of the product.

**DISCLAIMER OR IMPLIED WARRANTY:**

**THERE ARE NO WARRANTIES THAT EXTEND BEYOND THE DESCRIPTION HEREIN. SELLER DISCLAIMS ANY IMPLIED WARRANTY OF MERCHANTABILITY OF THE GOODS OR OF THE FITNESS OF THE GOODS FOR ANY PURPOSE, AND BUYER AGREES THAT THE GOODS ARE SOLD "AS IS."**

**Warranty is Subject to Compliance with Specific Installation Requirements.**

This document is copyrighted. This document may not, in whole or part, be copied, duplicated, reproduced, translated, electronically stored, or reduced to machine readable form without prior written consent from *ISIMET*, LLC.

Although the material contained herein has been carefully reviewed, *ISIMET*, LLC does not warrant it to be free of errors or omissions. *ISIMET* reserves the right to make corrections, updates, revisions, or changes to the information contained herein.

*ISIMET* is a trademark of *ISIMET*, LLC

Printed in the United States of America



**PO Box 129 (Mailing)  
103 W. CJ Wise Pkwy  
Naples, Texas 75568-0129  
WWW.ISIMET.COM**