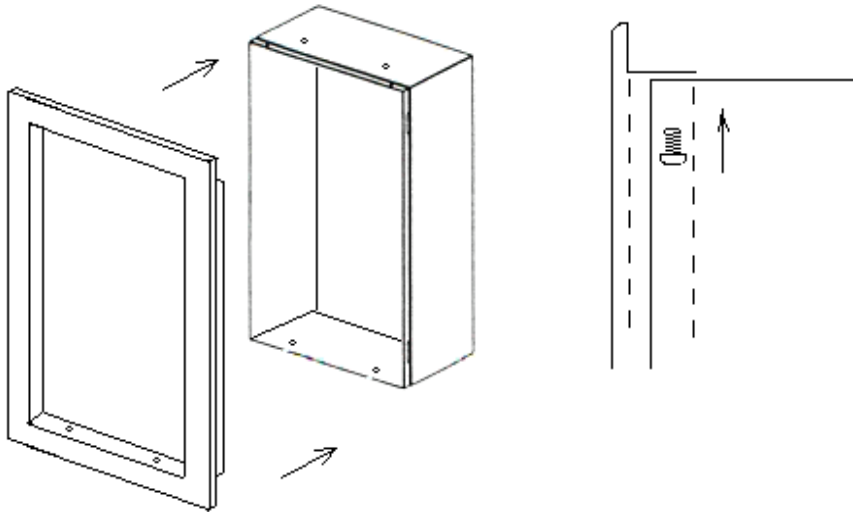


# Utility Controller

## Installing Flush Door Trim



Prior to installing Door Trim, ensure that wall finishes are complete and that the door panel has been installed according to manufacturer's instructions. Verify that there is a 1/2" clearance from wall framing and sheet-rock or other wall surface material around the outer surface of the unit in order to permit the trim to be properly installed.

To install the Flush Door Trim:

1. With the door in the open position, slide flush door trim over enclosure.
2. Align holes on enclosure with upper and lower holes in door trim.
3. Insert four (4) 10-24 (provided) screws through enclosure panel and tighten into door trim.

**Note:** Holes in enclosure are slotted to allow installer to adjust trim to wall finish.

(Semi-recessed trim installs similarly while permitting face of unit to extend beyond the wall an additional 1/4".)