



**Model IP-0
PN 9151**

Remote Panic Button Assembly

For Integration with LA Series Controllers

Installation Instructions

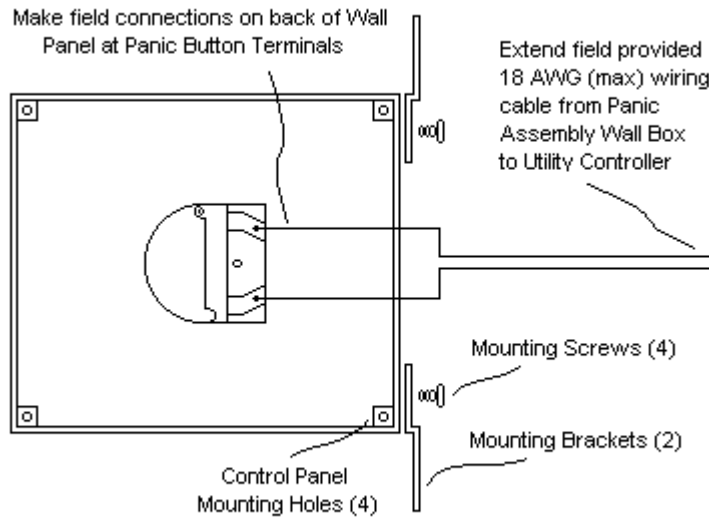
**ISIMET
103 C.J. Wise Parkway
Naples, TX 75568
(903) 897-0737
(903) 897-0740 fax**

The *ISIMET* Remote Panic Assembly features a Square-D Mushroom Panic Button mounted onto a Stainless Steel Wall Panel. A wall box with mounting brackets and an interface relay is provided.

The Unit is intended for use as a remote panic station positioned remotely from the LA Unit, but within the same classroom and in a highly visible location such as near a secondary door. We recommend that the unit be mounted as recommended by ADA or other governing authorities.

Mounting the Wall Box:

Using the provided mounting brackets and screws, secure the unit within the wall cavity with the face of the box extending to the wall surface. We recommend that you tape over or otherwise protect the interior of the box during the construction phase.



Wiring the Panic Assembly Panel to the wall box:

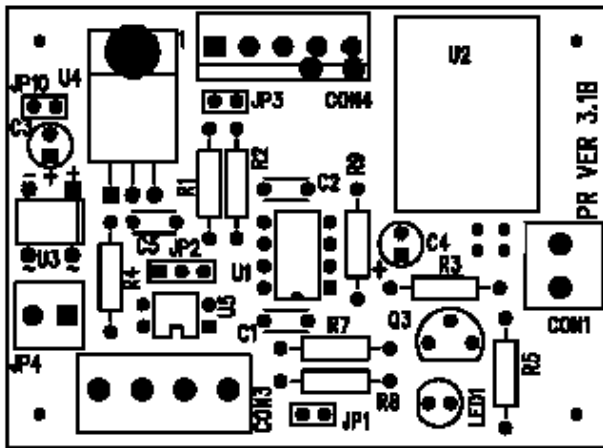
Holding the panel in front of the wall box, make wiring connections as shown in the drawing. Attach the panel to the box using the four (4) provided stainless screws and hex wrench.

Wiring the Panic Assembly to the LA Circuit:

Providing field wiring (18 awg max.), make connections to the LA's printed circuit board at CON 3 for Single Circuit Units as shown in the figure below.

Caution! Do not connect any wiring device that generates a separate source of electricity to the connector. Damage to the unit will occur.

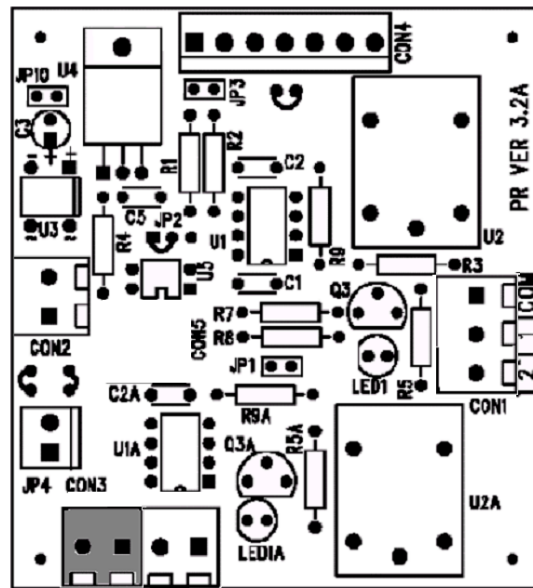
DO NOT route wiring from this device to the Utility Controller within conduit containing either 120-vac line or 24-vac output control wiring.



Single Circuit



Dual Circuit



Test the Unit:

Initiate the LA Unit by turning on the circuit switch and turning the momentary key. Place the LA Unit into Panic by striking the Remote Panic Button. The LED should turn off to indicate that the unit is in the Panic Mode.

If the unit fails to operate, contact *ISIMET* or a factory representative.