

ISIMET

Model RMP-X

PN 9161
Remote Monitoring Wall Box

PN 9162
Remote Monitoring SS Panel

Installation Instructions

ISIMET
103 C.J. Wise Parkway
Naples, TX 75568
(903) 897-0737
(903) 897-0740 fax

The Remote Monitoring Panel is a wall-mounted unit intended for use as a remotely located visual indicator that a Utility Controller system within a facility is in the Panic State. We recommend the Panel be mounted in an area that is continually occupied by staff of the facility administration and in plain view of those staff members that typically monitor activities within the facility.

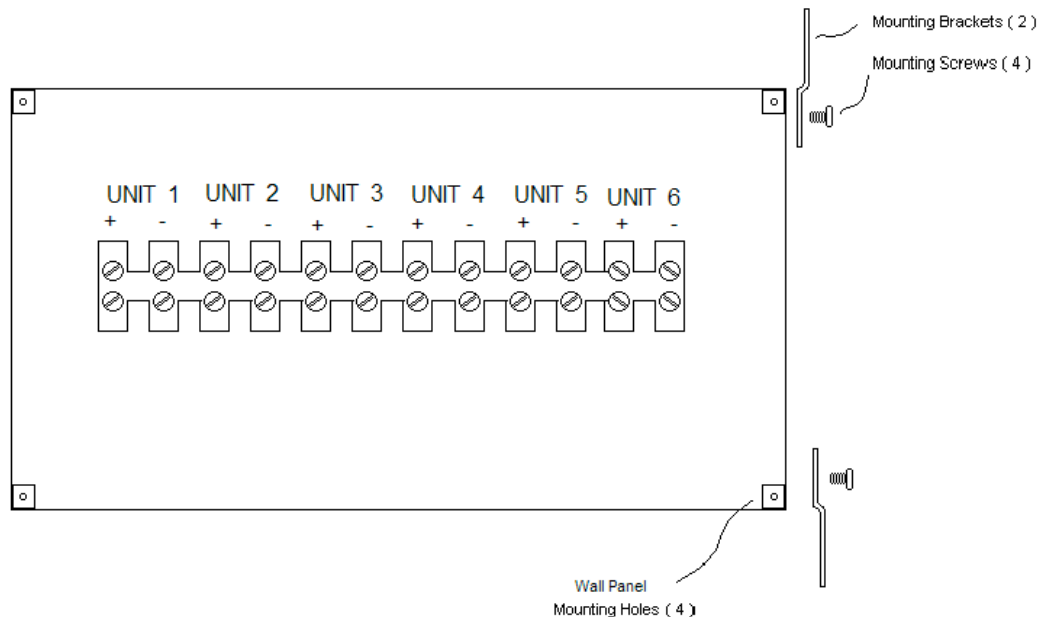
The unit is rated for 5 VDC and is easily integrated into the Alarm output circuit of the Controller. Optionally, the unit can be provided with 24-vac lamps. Specify (X-24vac) x = number of lamps.

The unit is custom fabricated to meet the needs of the facility, providing for the number of indicating lamps on the panel to correspond to the number of Utility Controllers installed within the facility.

The unit is furnished with the stainless wall panel fitted with the appropriate number of lamps, all required mounting hardware, junction box for mounting, wiring connection fittings, and installation instructions. Labeling of the lamps to correspond to specific classrooms and cabling is done by the installer.

Mounting the Wall Box:

Using the provided mounting brackets and screws, secure the unit in the wall cavity with the face of the box extending to the wall surface. We recommend that you tape over or otherwise protect the interior of the box during the construction phase.



Connecting the field wiring at the wall box:

Connect field provided wiring for each Utility Controller in the system to the appropriate terminal. Identify the corresponding room number for each unit by listing on the label at the base of the wall box. ISIMET recommends using colored wiring (Red = + vdc & BLK = Ground or (-) vdc. Connect + vdc to the + terminal.

Important!

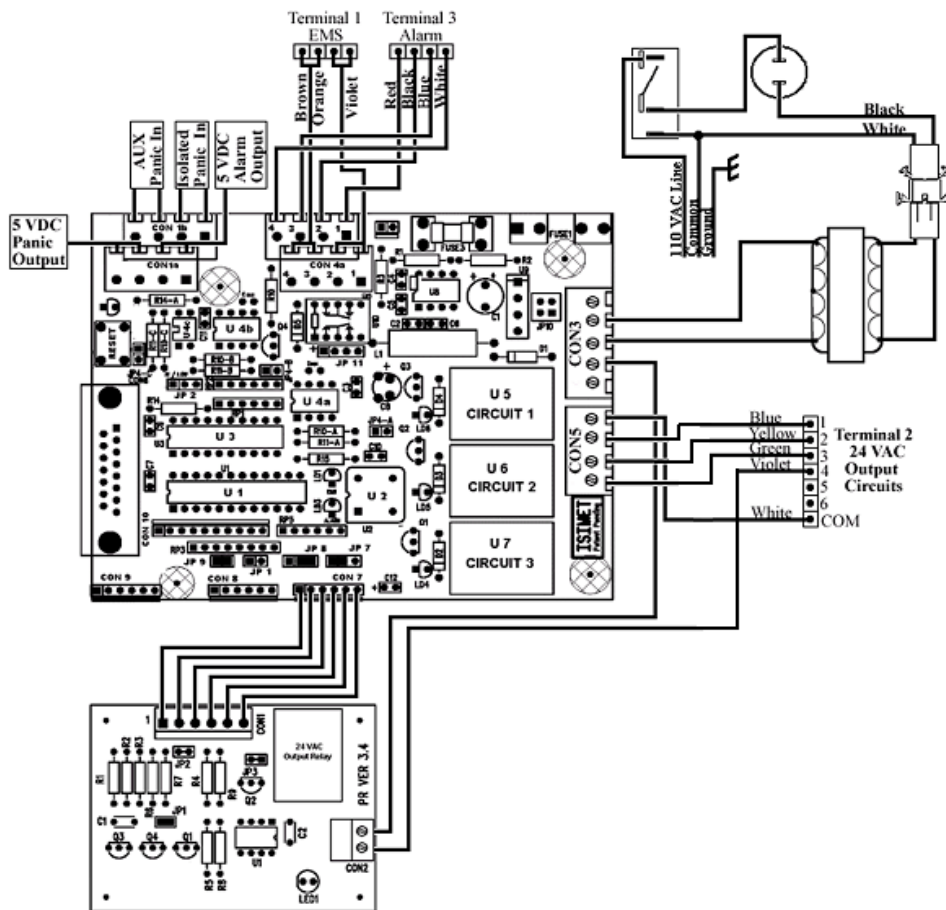
All local electrical codes must be followed when connecting the conduit to the service panel and making wiring connections.

Do not install wiring or cable for integrated systems, remote panic assemblies or other interface wiring within conduit for either 24-vac control or 120-vac line voltage. Each wiring system should be housed in independent conduit and not bundled with wiring for other systems.

Field Wiring the Unit to the Utility Controller:

Providing field wiring (20 awg max.), extend wiring cable from each Utility Controller in the system to the Remote Monitoring Panel. Make connections to the Utility Controller's printed circuit board at CON 1a [5 VDC Panic Output] as shown in the figure below.

Caution! Do not connect any wiring device that generates a separate source of electricity to the connector. Damage to the unit will occur.



Wiring the Stainless Steel Wall Panel to the wall box:

Holding the panel in front of the wall box, make wiring connections. Connect the wire leads from each LED to the terminals corresponding to each Utility Controller. Connect the RED lead to the + terminal and black to the - terminal. Attach the panel to the box using the four (4) provided stainless screws and hex wrench.

Test the Unit:

Place the Utility Controller into Panic by striking the Remote Panic Button. All door panel LED's should illuminate to indicate that the unit is in the Panic Mode. The corresponding LED on the Monitoring Panel should illuminate.

If the unit fails to operate, contact *ISIMET* or a factory representative.