

ISIMET

Model RMS-1 & RMS-4

Remote Monitoring Station

Installation Instructions

ISIMET

**103 C.J. Wise Parkway
Naples, TX 75568
(903) 897-0737
(903) 897-0740 fax**

Copyright © 2005 *ISIMET*, LLC.
All rights reserved.



The Remote Monitoring Station features a time delay “ON” circuits that is field settable from 0 to 5 minutes. The unit can be used to prevent incidental or unintentional alarm notification due to inadvertent activation of an emergency shower or as an output monitoring companion device to the *ISIMET* Utility Controller.

RMS-1 is provided with Time Delay “ON” Circuits - RMS-4 also includes a micro flow switch.

Available Companion Components:

H – Horn / Siren 24-vac

B – Red Flasher Beacon 24-vac

Bx – Beacon provided less hardware & SS Panel.

Hx – Horn shutdown cycle permits horn to be turned OFF during operation.

F – Stainless Steel Panel (Flush Mount Installations)

P – Panic Button with by-pass circuit to operate alarm without flow present.

K – Key Switch permits system shut-down without removing the panel.

S – Strobe Light - Red (10 Joule) 24-vac

Sx – Strobe provided less hardware & SS Panel.

A – Audible Sounder (90 dB) 24-vac

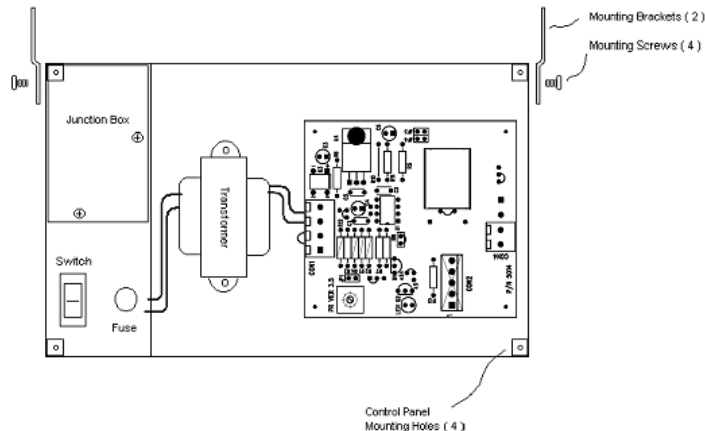


Figure 1

Mounting the Wall Box:

Using the provided mounting brackets and screws, secure the unit to a structural member. The unit should be mounted in a location convenient for maintenance so that adjustments to the delay setting are convenient. After mounting and installation of interconnect cabling, we recommend that the cover be placed over the wall box opening to prevent debris from potentially damaging the unit.

April 2009

Enclosure Dimensions: 6.0 X 11.875 X 4

Service Requirements:	Output Circuit Voltage Rating:
120/60 vac; 5 amp fuse Min. 14 AWG	Transformer 24 VAC 2 Amps

Installing the Electrical Conduit

Knockout holes for connecting the electrical conduits are located at the top left and right of the Wall Box.

- Connect rigid conduit for the required 120-vac electrical service.
- Connect conduit for the operating power to the upper left top of the enclosure at the junction box.
- Connect conduit for the 24-vac operating power for the output to the upper right top of the enclosure.

Wiring the Unit

Important! Verify that the electrical supply is disconnected prior to connecting wiring to the Station.

To wire the Station:

1. Remove the junction box cover.
2. Make final connections to the 120-vac electrical service to wiring within the junction box. Verify that line wiring (Black), neutral (White), and ground wire (Green) are correctly connected.
3. Minimum recommended wire size is 14 AWG.
4. Replace the junction box cover before activating or testing the unit.

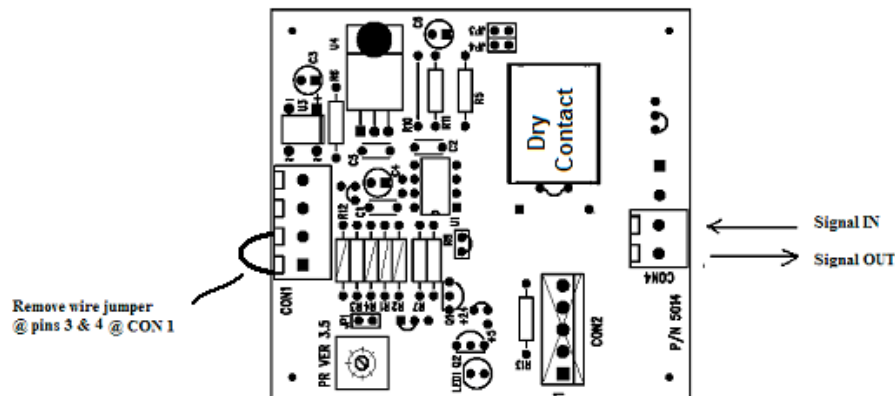


Figure 2

Important!

All local electrical codes must be followed when connecting the conduit to the service panel and making wiring connections.

Do not install wiring or cable for integrated systems, remote panic assemblies or other interface wiring within conduit for either 24-vac control or 120-vac line voltage. Each wiring system should be housed in independent conduit and not bundled with wiring for other systems.

Wiring the Input Signal or Flow Switch Control: Refer to Figure 2

Providing field wiring (two (2) 2 conductor - 18 AWG max cables.), remove jumper as shown in diagram. If the unit is operated by a flow switch, connect the two leads from that flow switch to pins 3 & 4.

DO NOT install wiring within a conduit containing either 120-vac line or 24-vac output wiring from the Controller.

Caution: Care should be taken to insure that the companioned Controller's Alarm output relay is configured for dry-contacts and not 24-vac. The unit will not operate and damage to both units may result from improper wiring or field configurations.

Wiring the Output Control Signals: Refer to Figure 2

RMS-1 Make wiring connections to 24-vac monitoring devices at posts 1-2-3 at CON 2. If an audible sounder such as a siren is used, then it is recommended that this device be connected to posts 1 & 3 (Circuit 2) and that the adjustment for Delay "ON" be set for a period exceeding that of Circuit 1. Output for a visual indicator (Beacon or Strobe) should be made at posts 1 & 2 on CON 2.

RMS-4,5,6 Post 3 & 4 at CON 2 are dry-contact connections for use with an independent integrated monitoring system. Contacts are controlled at Circuit 1.

If the Unit is provided with a Flow Switch:

The flow switch will serve as the closed contacts to activate the unit. If current is generated by detected flow but is terminated before the delay "ON" cycle elapses, then the monitoring devices connected to the output terminals will not respond.

Extend if necessary and connect the two leads from the switch to posts 3 & 4 at CON 4. See Figure 2.

The flow switch is intended to be installed directly upstream in the supply line from an emergency shower. Care should be taken that direction of flow corresponds to flow indicator on top of switch housing. The switch activates at 5 GPM. We recommend that the TEE fitting be installed prior to insertion of the switch into the TEE's outlet and that Teflon tape is applied on the threads.

CAUTION: Use of a TEE with threaded adapter and/or bushing reducer may not be suited for this application and may restrict the flow-switch's ability to register flow at the shower.

Installing the Wall Panel

- Remove any protective cover previously placed over the face of the Wall Box.
- Verify that Unit is wired with Junction box cover in place.
- Turn Power **ON**. (Verify that switch illuminates.)
- Simulate flow or input to verify that the two circuits operate.
- Adjust the circuits for the desired delay "ON" time. Factory setting is 5 sec.
- Turn the dials clockwise to increase time delay "ON".
Note: Removal of the jumper from jumper posts 1 or 2 will expand the delay "ON" settings.
- Affix panel to box using four (4) 8-32 stainless screws provided with panel.

CAUTION! Do not install the panel until all wall finishes are complete.

Operation of the Unit:

The Remote Monitoring Station will operate automatically each time input is received across posts 3 & 4 on CON 4. If the input signal is terminated prior to lapse of the delay "ON" period, then no output signal will be emitted. Each cycle of an input signal will restart the time delay "ON" cycle.

Optional Wall Panel:

F – A Stainless Steel Wall Panel is provided suitable for flush mounting applications.

Optional Features and Panel Mounting Components:

Wiring and Connection Instructions are provided when these features are included with the unit.

Hx – The Horn shut down circuit permits an audible sounder to be turned OFF during operation of the unit.

When provide with "P" option, this button also turns system "OFF" when activated by the Panic Button.

P – A Panic Button will activate the unit and by-pass the circuit 1 the time delay cycle without an input signal.

K – A key switch permits the unit to be turned OFF without requiring removal of the wall panel.

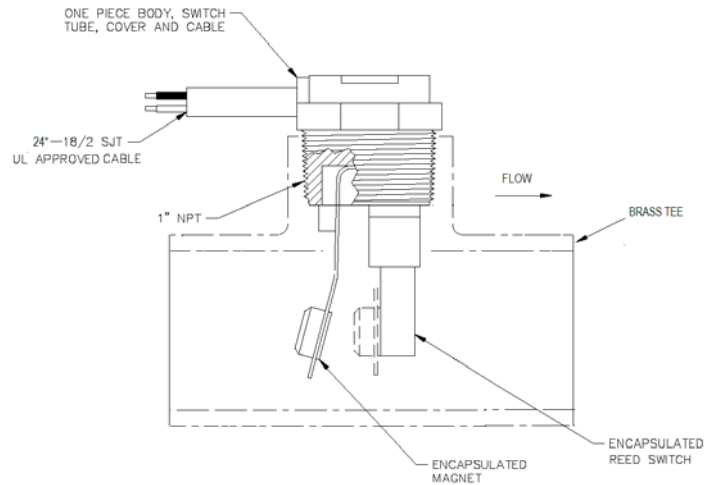


Figure 3

Test the Unit:

Verify that the Utility Controller is ON. Activate at least one of the output circuits on the Controller. Set the time delay output to the desired setting. Activate the emergency shower. After the delay interval, the dry contact of the time delay circuit should close sending a panic signal to the Controller and placing that unit into the Panic Mode.

If the unit fails to operate, contact *ISIMET* or a factory representative.

Warranty:

ISIMET will repair or replace any defective parts or workmanship of this product for a period of one year from date of installation. The P.C. Board has a two year limited warranty. Damage caused by incorrect installation or improper usage is not warranted. Failure to follow recommended installation, operation, and/or maintenance procedures listed in this manual may void product warranty. Recovery rights shall be limited to the total sum of the amounts paid for the product by the purchaser.

EXTENDED WARRANTY:

ISIMET will extend the warranty of this product to a period of two years from date of installation when installation complies with all start up and routine maintenance procedures. Refer to Extended Warranty Policy.

Limits of Liability:

ISIMET's liability shall be limited to costs of repair or replacement parts. The Laboratory Service Panel and Utility Controller are not intended for usage other than those expressly described in this manual. *ISIMET* shall not be liable for damage or injury caused by the improper use of the product.

ISIMET does not warrant against or assume liability for failure of operation or lack of notification to secondary integrated monitoring systems. The system should be thoroughly tested and adjustments made at time of initial operation. Periodic testing should be conducted by the user to assure that all components function and operate according to specifications.

Care should be taken in the installation of this product. *ISIMET* shall not be liable for damage or injury caused from the improper installation of the product.

Warranty is Subject to Compliance with Specific Installation Requirements.

DISCLAIMER OF IMPLIED WARRANTY:

THERE ARE NO WARRANTIES THAT EXTEND BEYOND THE DESCRIPTION HEREIN. SELLER DISCLAIMS ANY IMPLIED WARRANTY OF MERCHANTABILITY OF THE GOODS OR OF THE FITNESS OF THE GOODS FOR ANY PURPOSE, AND BUYER AGREES THAT THE GOODS ARE SOLD "AS IS."

Printed in the United States of America.