

ISIMET REMOTE OPERATORS

INSTALLATION, OPERATION & MAINTENANCE INSTRUCTIONS

The LA—Series Remote Operator is a secondary control unit that, when accompanied with Standard Controller, permits the same level of control for an appliance or secondary outlet device as the primary or master control unit without the necessity to provide a second power supply. The standard 100 Series unit features a black “OPERATE” ON key switch and a red OFF or “STOP” button. The operators function independently from the primary control unit. However, an alarm notification signal input to the primary controller or the striking of the primary’s Panic Button will disable this unit. Only after withdrawal of the alarm signal, reset at the primary controller, and finally the engaging of this unit’s “OPERATE” switch will the output circuit be restored.



The 200 Series provides for custom modifications, such as flip-up protective covers, for the operator switches. This series standard is provided with a maintained push button ON switch with a key reset. The unit can be configured so that the panic button will interrupt operation of this sole unit or a master control unit.

Specifications:

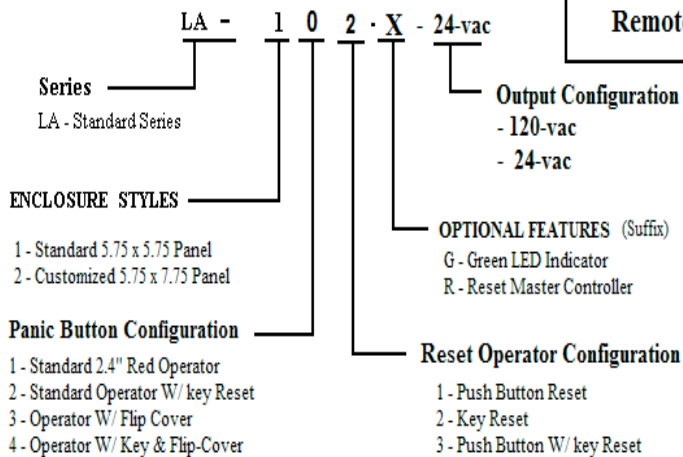
Control Panel - Stainless Steel 16 gauge
 Wall Box - 16 gauge plated sheet metal
 LA - 100 5.0 X 5.0 X 3.0
 LA - 200 5.0 X 7.0 X 3.0

Output Voltage Configuration:

The Remote Operator may be configured to provide either a 24-vac output circuit or as dry-contacts to operate the line leg of a 120-vac circuit. Pilot duty rating of the unit is 1.5 amps.

Caution: Attention should be given to total output rating of the integrated LA Series Master Controller to assure no overload of 24-vac systems occurs.

Model Number Description



Warranty:

ISIMET will repair or replace any defective parts or workmanship of this product for a period of one year from date of installation.

The P.C. Board has a two year limited warranty. Damage caused by incorrect installation or improper usage is not warranted. Failure to follow recommended installation, operation, and/or maintenance procedures listed in this manual may void product warranty.

Recovery rights shall be limited to the total sum of the amounts paid for the product by the purchaser.

Limits of Liability:

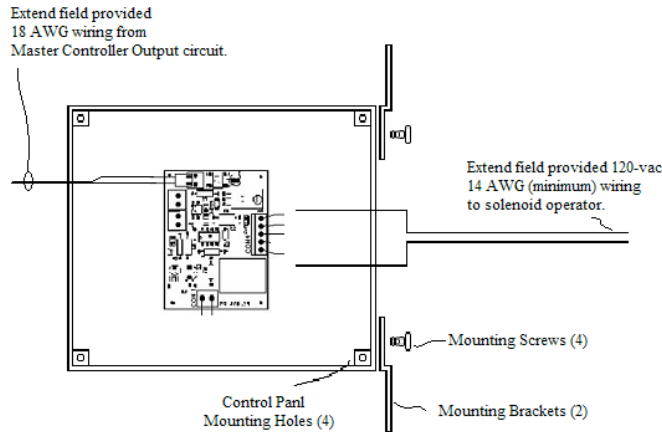
ISIMET's liability shall be limited to costs of repair or replacement parts. The Laboratory Service Panel and Utility Controller are not intended for usage other than those expressly described in this manual. ISIMET shall not be liable for damage or injury caused by the improper use of the product.

ISIMET does not warrant against or assume liability for failure of operation or lack of notification to secondary integrated monitoring systems. The system should be thoroughly tested and adjustments made at time of initial operation. Periodic testing should be conducted by the user to assure that all components function and operate according to specifications.

Care should be taken in the installation of this product. ISIMET shall not be liable for damage or injury caused from the improper installation of the product.

Mounting the Wall Box:

Using the provided mounting brackets and screws, secure the unit within the wall cavity with the face of the box extending to the wall surface. We recommend that you tape over or otherwise protect the interior of the box during the construction phase.

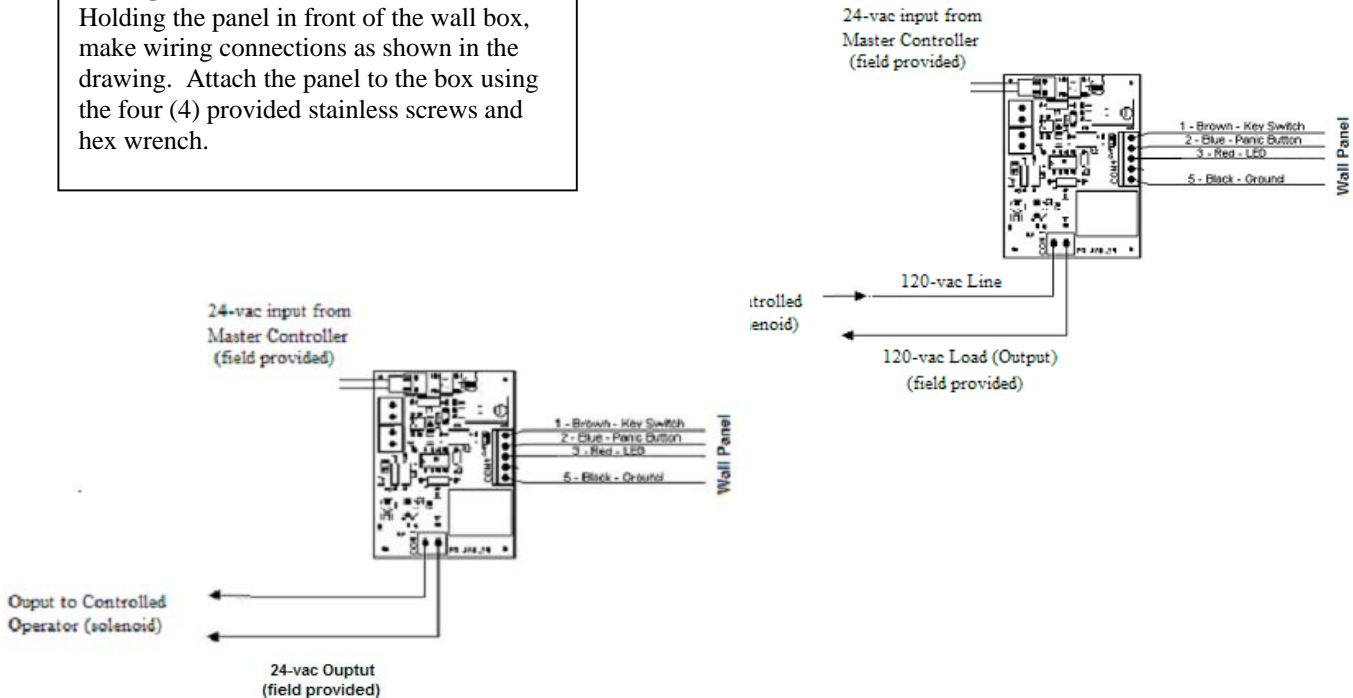


Wiring the Remote Operator: This unit is not provided with a power supply. Only connect 24-vac from an approved source at the input terminals on the pc board. Connect 24-vac cable from Master Controller as shown. For Units operating 120-vac devices, 120-vac line should be routed from power source through terminals as shown. Neutral can be routed separate from the wiring at this unit. Extend 24-vac to device as shown where the control is 24-vac.

DO NOT route wiring from this device to the Utility Controller within conduit containing either 120-vac line or 24-vac output control wiring.

Wiring the Wall Panel to the wall box:

Holding the panel in front of the wall box, make wiring connections as shown in the drawing. Attach the panel to the box using the four (4) provided stainless screws and hex wrench.



Operation of the unit:

This unit will only operate when 24-vac power is provided from an ISIMET Master Controller. When power ON, the momentary key-switch on the wall panel will activate the output circuit, thus energizing the output operator or solenoid. Pressing the OFF button will interrupt operation as will removal of 24-vac operating power. To re-activate the unit, it is necessary to re-key the panel key-switch. Unit always is in OFF mode upon power ON and power withdrawn.