



The *FLA_{v2}* is the newest version of ISIMET's *Fire Station Cooking Controller*.

Fire Station Cooking Utility Controller

FLA_{v2}

IDEAL APPLICATION:

- For control of gas and electrical appliances used for cooking in Fire Stations.

FEATURES:

- **New Reduced Size:** 9.75" X 5.25" x 3"
- **Red Notification LEDs:** Notifies user why Utilities shut down.
- **Optional E-Series:** Electrical Appliance and Outlet Control.
- **Optional Outdoor Grill Controller:** Outdoor Grill Controller with integrated timer (2, 4, or 8-hour auto-shutdown).
- **Identified Push Connectors:** Reduces wiring installation time and mistakes.
- **16-Gauge Brushed Stainless-Steel Cover**
- **Integrated Bypass:** Allows Utilities to stay on after a Fire Call.
- **Automatic Shutdown:** Optional configurable auto-shutdown between 2 and 18 hours in 2-hour increments.
- **Short Circuit Protection:** Protects the controller from short circuits and auto-resets when a short has been cleared.
- **Includes the following Dry-Contact Inputs:**
 - Gas Detector
 - Carbon Monoxide detector
 - EMS/BMS
 - Fire Call Alarm
 - Outdoor Grill Controller (OGC)
 - Remote Emergency/Panic Button



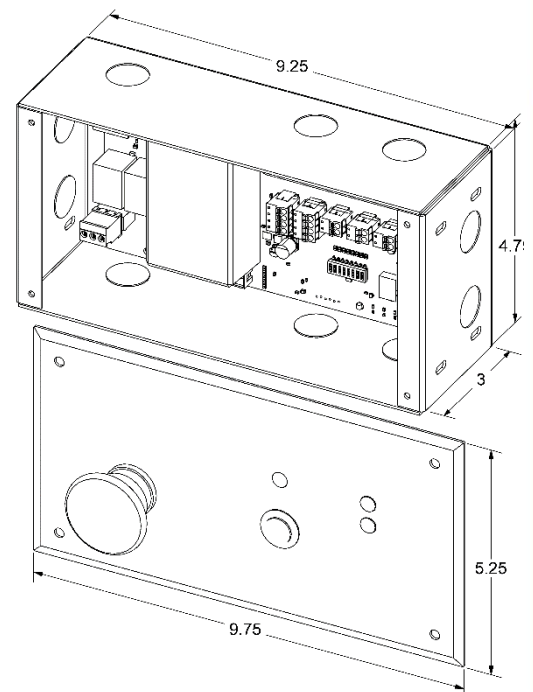
FLA_{v2} Front Cover

Dimensions:
 Box: 4.75 in. x 9.25 in. x 3 in.
 Cover: 5.25 in. x 9.75 in. 16 gauge

CONTROLLER OPTIONS:

Output Voltage	24VDC
Activation Method	Push Button
Mounting Method	Flush or Surface

	FLA _{v2}
All Metal Enclosure	•
Brushed Stainless Steel Cover	•
Flush or Surface Mount	•
Optional Gas Solenoid (½"-3" Sizes Available)	•
100-240VAC (50/60Hz) Input	•
24VDC Circuit Output (2.5A Max)	•
24VDC Acc. Output (10W Max)	•
Short-Circuit Protection (No Fuses)	•



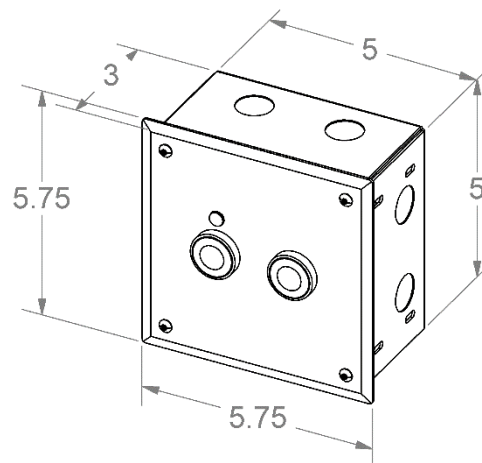
The *OGC* is the newest version of ISIMET's integrated *Outdoor Gas Grill Controller* (previously known as the *Remote Operator*).

IDEAL APPLICATION:

- For control of an outdoor gas grill integrated with ISIMET's *Fire Station Cooking Utility Controller*.

FEATURES:

- **Green Notification LED:** Notifies user when outdoor gas is turned ON.
- **Integration:**
 - Integrates with ISIMET's FLA_{v2} with only 4-wires.
 - Powered completely by the FLA_{v2}.
 - Shuts off gas when emergency button is pressed on FLA_{v2}.
- **Integrated Timer:** Utilizes integrated timer for pre-set 2, 4, or 8-hour auto-shutdown.
- **Low-Voltage:** Simplifies wiring and installation.
- **Identified Push Connectors:** Reduces wiring installation time and mistakes.
- **16-Gauge Brushed Stainless-Steel Cover**
- **Optional Clear Cover:** Additional protection from outdoor environments and prevention of accidental operation.
- **Optional Weather Proof Seal:** Weatherproof foam seal around the interior cover.



Outdoor Grill Controller OGC



OGC Front Cover

Dimensions:

Box: 5.25 in. x 5.25 in. x 3 in.

Cover: 5.75 in. x 5.75 in. 16 gauge

CONTROLLER OPTIONS:

Input Voltage	24VDC supplied from FLA _{v2}
Output Voltage	24VDC
Activation Method	Push Button/Key
Mounting Method	Flush/Surface
Other Options	Clear Cover
	Weather Proof