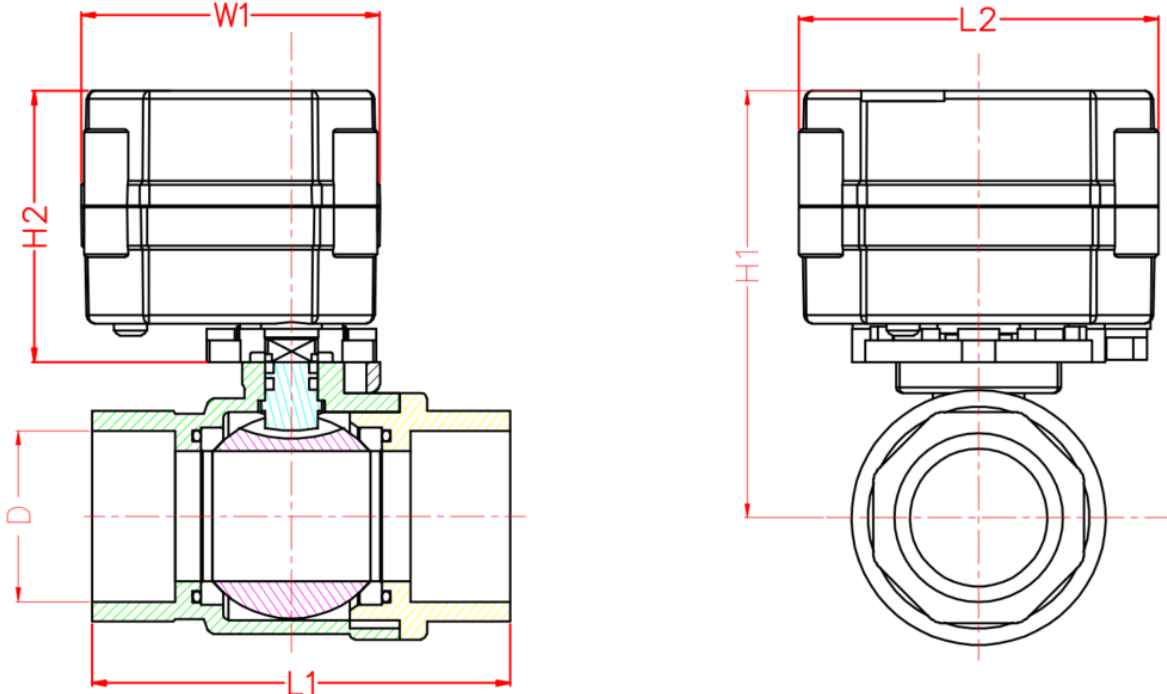


ISIMET 900 Series

Electrically Actuated Ball Valves



Features	Motorized ball valve that automatically closes when power is lost.
	Stainless Steel construction.
	Optional limit switch feedback to verify valve position.



Model Numbers		Dimensions					
Water	Natural Gas	Inlet/Outlet Sizes – NPT	H1	H2	L1	L2	W1
921	951	½" (DN15)	70 mm	17 mm	62 mm	14 mm	54 mm
922	952	¾" (DN20)	74 mm	20 mm	72 mm	17 mm	54 mm
923	953	1" (DN25)	82 mm	24.5 mm	81 mm	18 mm	54 mm

Specifications	Product Sizes (NPT)	1/2", 3/4", 1"		
	MAX Pressure	45 psi	100 psi	
	Recommended Mediums	Buna-N	EPDM	
		Natural Gas & Propane	Water & Air	
	Voltage	24VDC		
	Max Current	500mA		
	Accuracy	± 0.1% FS		
	Open/Close Time	~5s		
	Life Expectancy	>70,000 Cycles		
	Valve Body Material	Stainless Steel SS304		
	Actuator Material	Engineering Plastics		
	Sealing Material	FKM & PTFE		
	Max Torque	2 Nm		
	Fluid Temperature Ratings	2°C ~90°C		
	Ambient Temperature Ratings	-15°C ~50°C		
Manual Override	No			
Open/Close Indicator	Yes			
Environmental Protection Code	IP67			