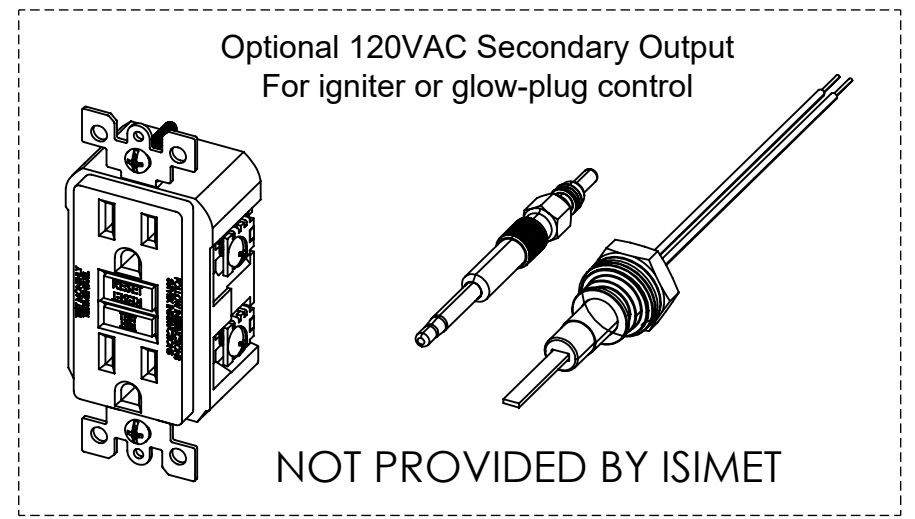
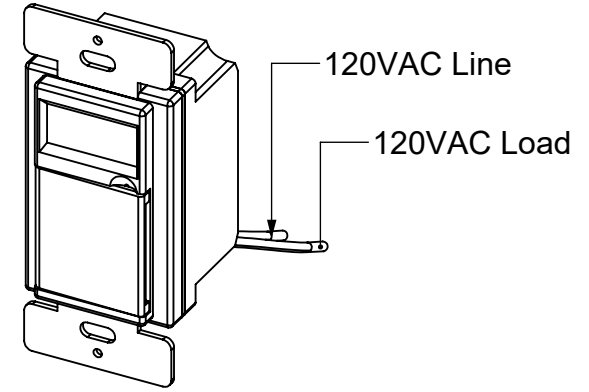
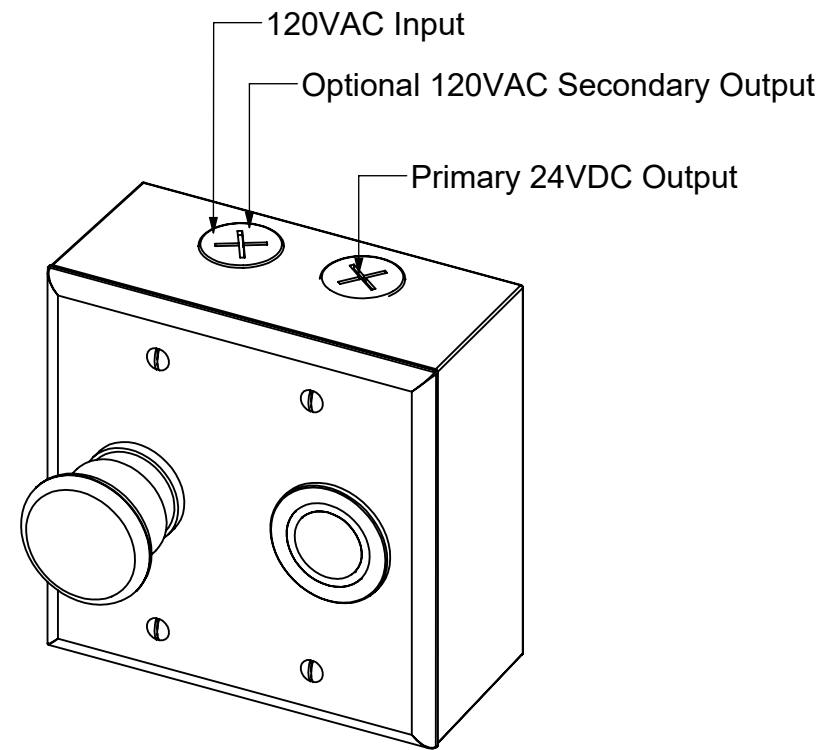


NAME	BGC Engineering Drawing		PART NO.	SCALE	1:2	REVISION	BY	CH	EC	DATE
	FOR	Firepit and Grill Controllers								
MATERIAL	Varies									
ISIMET, LLC										

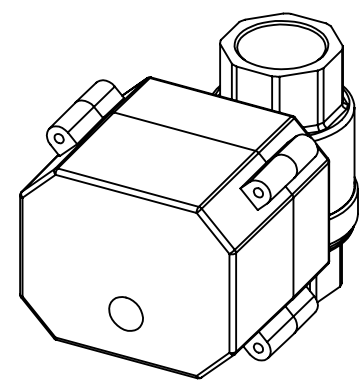
7-Day Programmable Timer (Optional)



ISIMET Firepit and Gas Grill Controller Model BGC

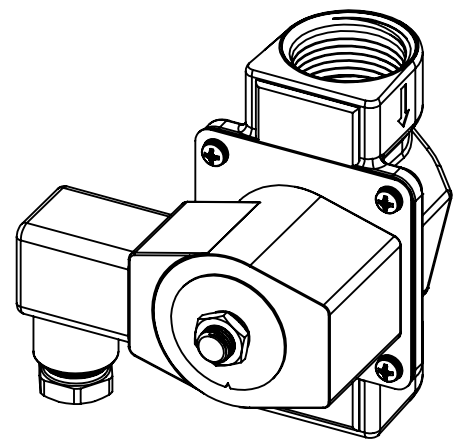


Electronic Ball Valve (EBV) 900 Series (24VDC, 1/2" to 1")



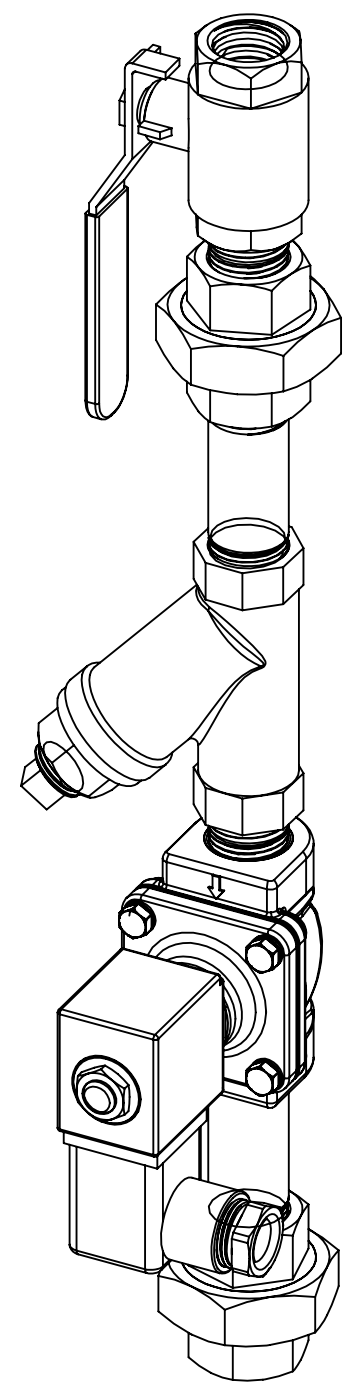
OR

ISIMET Solenoid 300 Series (24VDC, 1/2" to 1-1/2")



OR

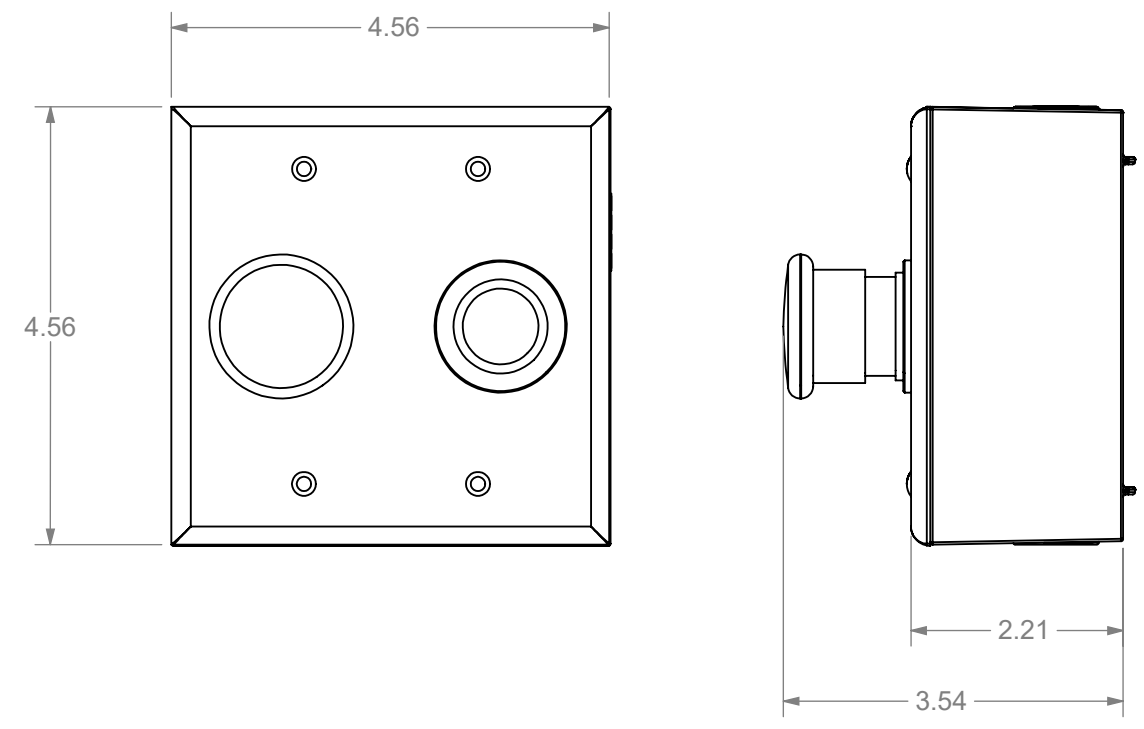
ISIMET Valve Assembly EBV or Solenoid (with or without Y-Strainer)



Notes:

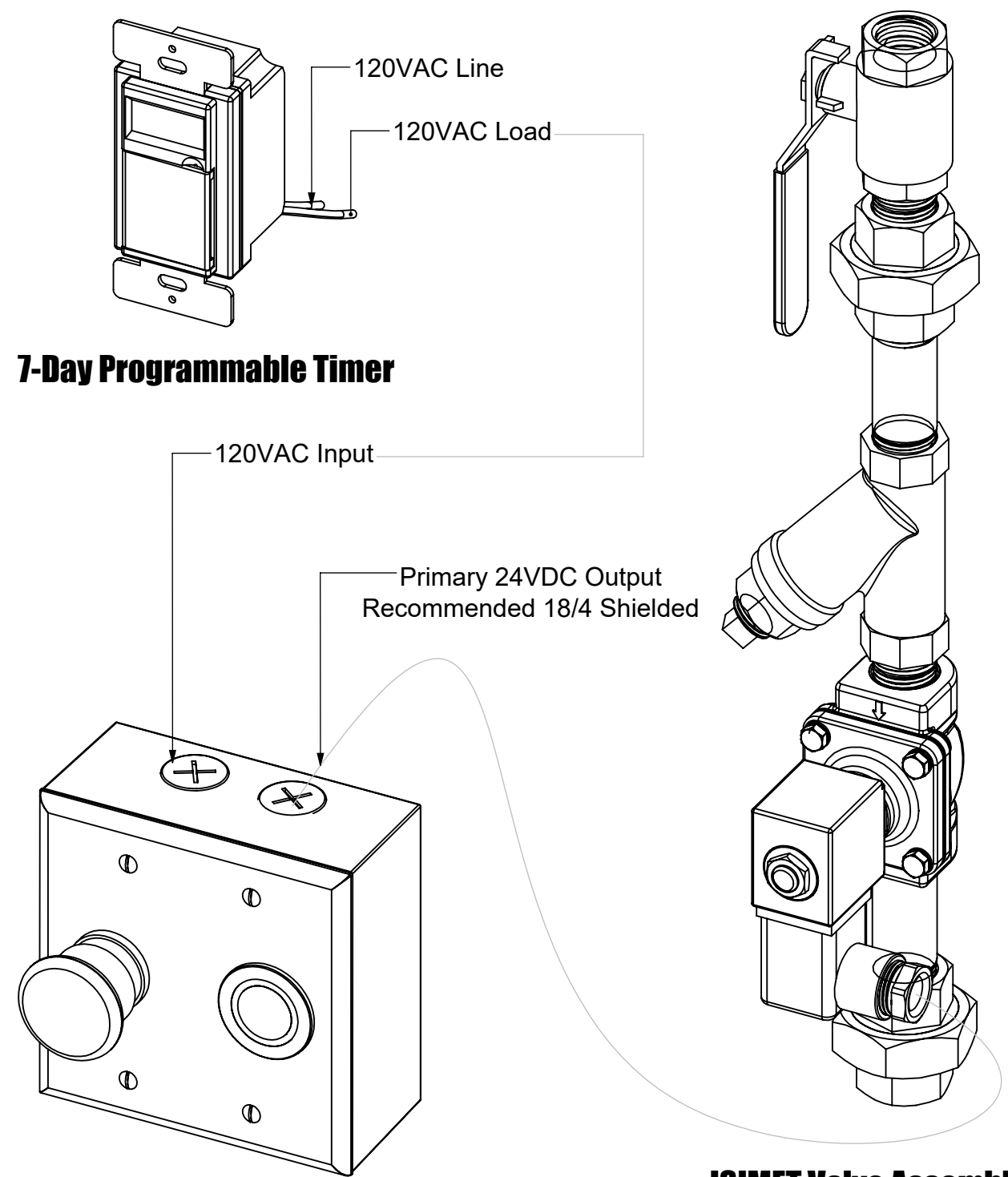
1	ISIMET Firepit and Gas Grill Controller, Model: BGC (120VAC Input, 24VDC Output)
2	7-Day Programmable Timer (Optional) - (120VAC Input, 120VAC Output, Battery Backup)
3	ISIMET Gas Valve Assembly (Includes 2x Unions, Manual Ball Valve, Y-Strainer, and Valve)
4	ISIMET Gas Electronic Ball Valve - 900 Series (Full-Port, 24VDC, Automatic Closing)
5	ISIMET Gas Solenoid - 300 Series (24VDC, Normally-Closed)

NAME	BGC Engineering Drawing		SCALE	1:2	ISIMET	PART NO.	BY	CH	EC	DATE	
	FOR	Firepit and Grill Grill Controllers					GY			12/18/2023	
	MATERIAL	Varies									
	ISIMET, LLC										
TOLERANCE UNLESS SPECIFIED		REVISION		A		Created Drawing					
DECIMALS: ±.01		B		B							
TWO PLACE ±.005		C		C							
THREE PLACE ±.002		D		D							
FRACTIONS: ±.1/32											
ANGLES: ±0.5°											
SURFACE TEXTURE: 32√											



Dimensional Drawing of BGC

Typical Wiring Layout



ISIMET Firepit and Gas Grill Controller Model BGC

ISIMET Valve Assembly EBV or Solenoid